

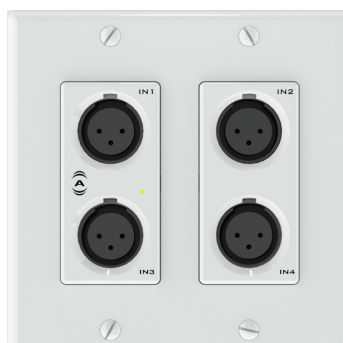


Attero Tech by QSC unDX4I

Dante network audio wall plate
4x2 mic/line I/O

Features

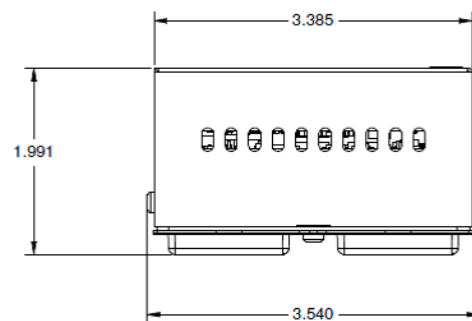
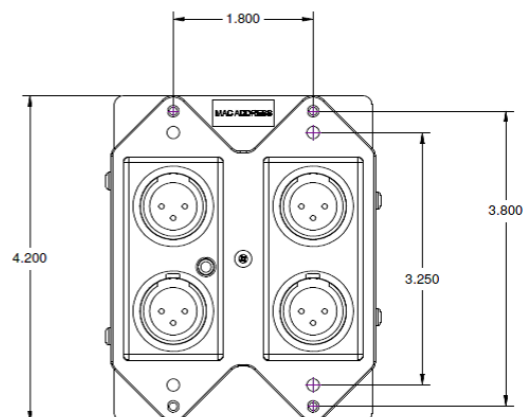
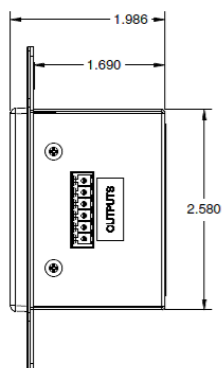
- Dante Domain Manager™ ready
- 4x balanced XLR mic/line inputs
- 2 balanced line outputs on Phoenix depluggable connectors
- 802.3af compliant PoE powered
- Three input gains accommodate common line levels, phantom power and dynamic microphones. Input gains are adjustable via software on a per input basis
- +48v phantom power per channel
- ID LED allows easy identification of which unDX4I Attero Tech's unIFY software is communicating with
- The balanced line outputs can be wired to any passive XLR plate, such that 4 XLR inputs and 2 XLR outputs are available in a 3-Gang US wall space.
- Product accessory kit available



Applications: Hotel Ballrooms • Spas • Fitness Facilities Convention Centers • Education • Conference Center

The unDX4I is a cost-effective multi-IO Dante™ network audio wall plate. The unDX4I features four balanced mic/line XLR inputs and two balanced line outputs on a Phoenix connector. All inputs and outputs can be used simultaneously and all audio channels are available separately. The unDX4I is designed to fit into most dual gang US junction boxes and is PoE enabled, so all connectivity (power and data) is provided by a single CAT-5 cable. The unDX4I's size and IO density make it easy to put Dante connectivity wherever it's needed - near the audio source or sink - thereby eliminating costly and interference prone analog wiring.

Dimensions:



unDX4I Details

Audio Inputs	
Input types	4x XLR (balanced and RF filtered)
Gain	-18 dB, -3 dB, +25 dB and +40 dB, software selectable
Input impedance	>1.8 K Ω at any gain
Maximum input levels	+20 dBu @ -18 dB gain, +6 dBu @ -3 dB gain, -23 dBu @ +25 dB gain -38 dBu @ +40 dB gain
Phantom power	+48v, software selectable

Audio Input Performance	
EIN	-115dBu
THD+N	<0.02% @ 1kHz for all gain settings, input signal 3dB below maximum
Frequency response	20Hz – 20kHz, +/- 1dB (-18 and -3 dB gain) 50Hz - 20kHz +/- 1dB (+25dB and +40dB gain)

Audio Outputs	
Output type	Two balanced line level with automatic muting on loss of Dante signal on 3-pin depluggable Phoenix
Attenuation range	Software controlled volume (0 to -60 dB, 1 dB increments)
Output impedance	200 Ω balanced
Maximum output levels	+20 dBu at 0 dB attenuation

Dante Network	
Physical level	Standard Ethernet
Connector	Single RJ-45
Cable quality	CAT-5e or better
Transmission speed	100 Mbps
Supported sample rates	44.1 kHz, 48 kHz
Minimum Dante network latency	1 ms

General	
Dimensions (HWD)	4.2 x 3.5 x 2 in (114.3 x 88.9 x 50.8 mm)
Weight	0.6 lb (.27 kg)
Operating temperature	0 to 40° C
Regulatory compliance	FCC CFR 47 Parts 15B Class A ICES-003 CE (EN55022) RoHS REACH

Environmental	
PoE	802.3af PoE PD compliant
Power consumption	< 5 W max

