

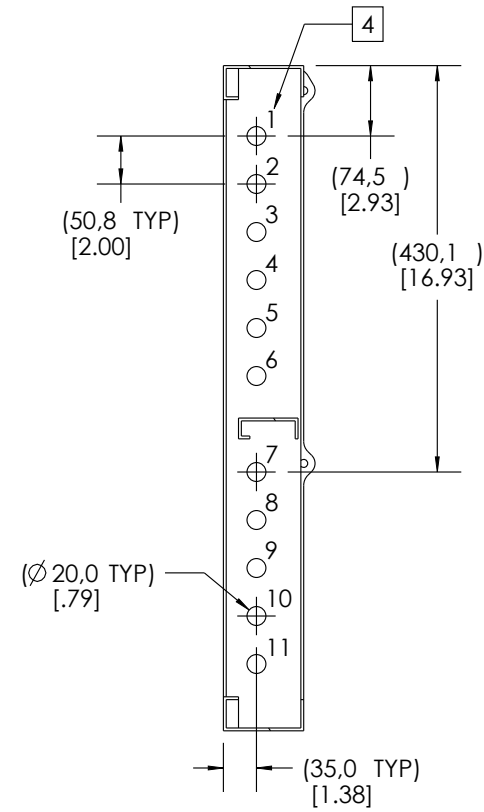
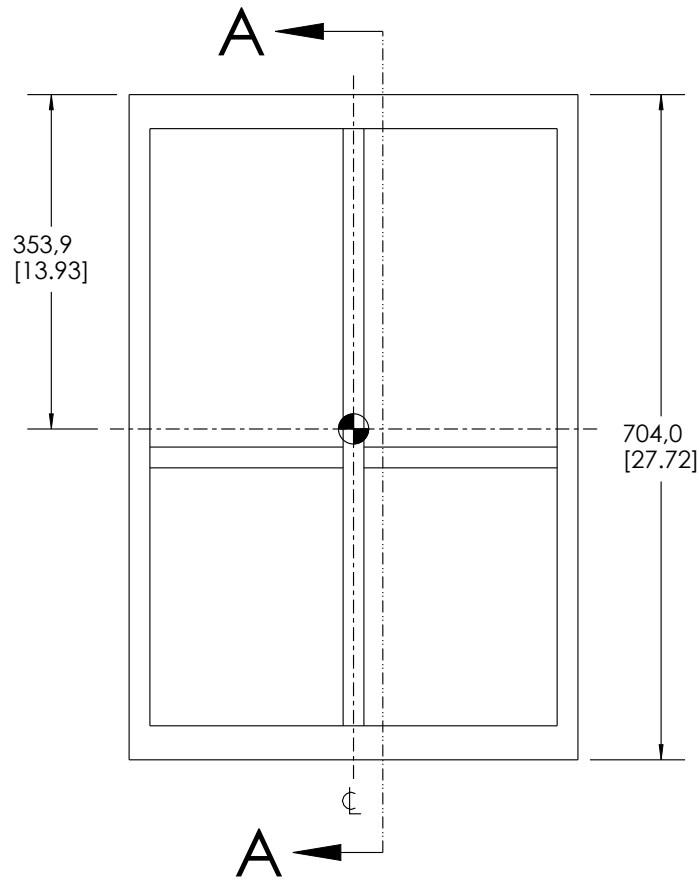
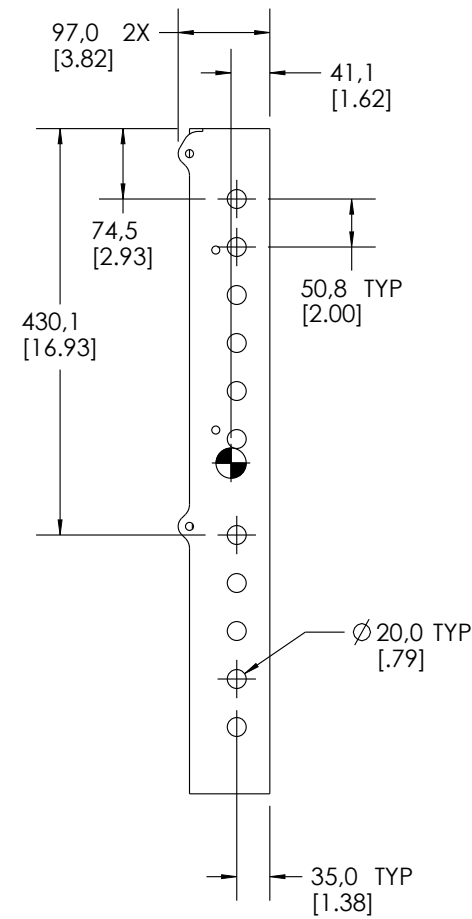
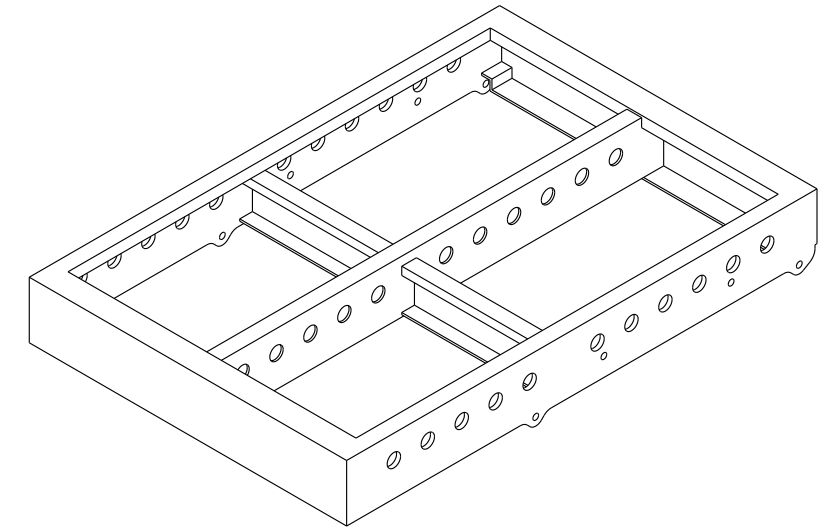


NOTES: UNLESS OTHERWISE SPECIFIED

- NET WEIGHT APPROX. 13.6 KG [30 LBS].
- SYMBOL  INDICATES CENTER OF GRAVITY.
- PARTS ARE SYMMETRICAL ABOUT CENTER LINES UNLESS OTHERWISE NOTED.
-  SUSPENSION POINTS 1 THRU 11.



SECTION A-A

