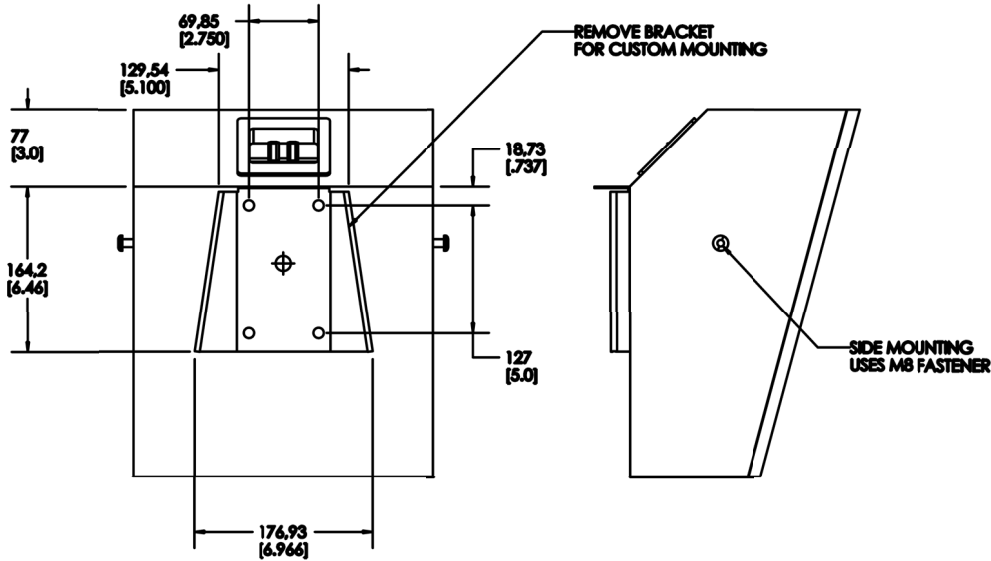
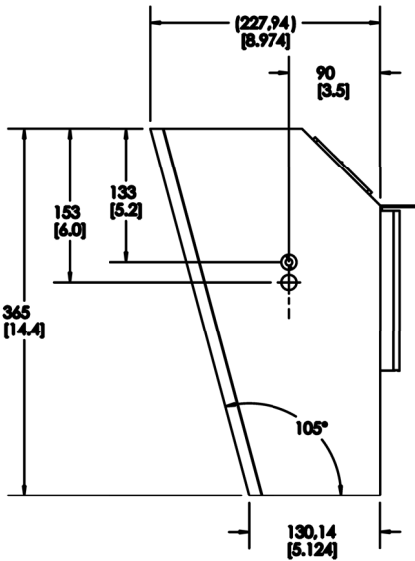
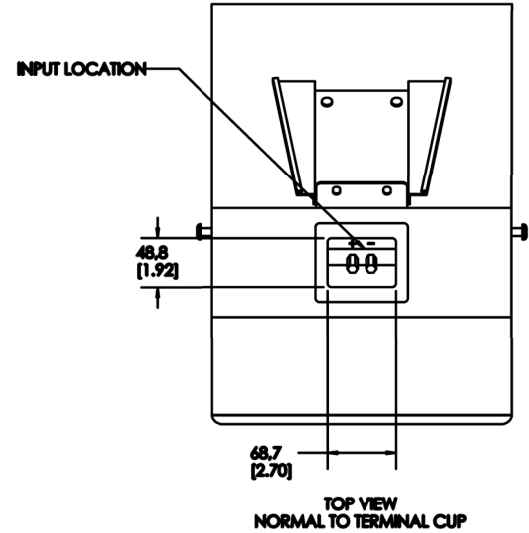
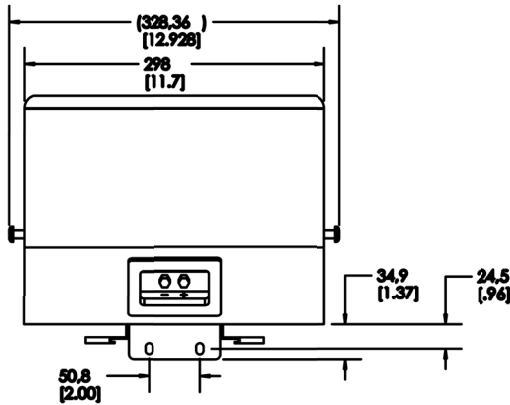
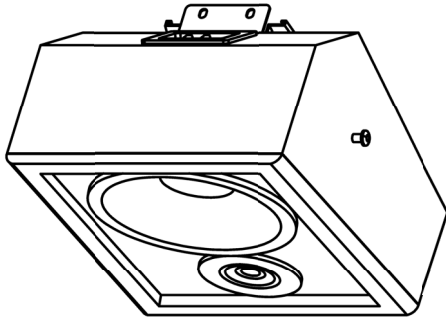


THIS DOCUMENT CONTAINS PROPRIETARY INFORMATION WHICH IS THE PROPERTY OF QSC, LLC. IT MAY NOT BE DISCLOSED, REPRODUCED OR USED WITHOUT THE EXPRESS WRITTEN CONSENT FROM QSC, LLC.

REVISION			
REV	DESCRIPTION	BY	DATE
A	RELEASE	HH	21-NOV-18



- 6. THE TEXTILE OF GRILLE NOT SHOWN FOR CLARITY.
  - 5. PARTS ARE SYMMETRICAL ABOUT THE CENTER LINES UNLESS NOTED
  - 4. SYMBOL  $\oplus$  INDICATES CENTER OF GRAVITY;
  - 3. SYMBOL  $\odot$  INDICATES SUSPENSION POINT OF M8 THREAD, 2 PLACES
  - 2. TOLERANCE IS MILLIMETER:  $X.X \pm 0.5$ , ANGLES  $\pm 1^\circ$
  - 1. NET WEIGH APPROX 13KG
- NOTE: UNLESS OTHERWISE SPECIFIED

UNLESS OTHERWISE SPECIFIED DIMENSIONS ARE IN MM (IN) TOLERANCES ARE: DECIMAL $X \pm X (1/10)$ JXX $\pm$ XX (1/100)	CAD GENERATED DRAWING DO NOT MANUALLY UPDATE	QSC, LLC 1675 MACARTHUR BOULEVARD COSTA MESA, CA 92626 USA
SEE NOTES SEE NOTES DO NOT SCALE DRAWING PROJECTION SYMBOL: $\oplus$	SHEET: B   00PW4   FG-901316-2D   A SCALE: 1:5   CAD FILE: FG-901316-01.DWG   SHEET: 1 OF 1	SPEAKER, FINISHED, SR-800