

A New BYOM Room System for High Value Spaces

Q-SYS paired with the Mersive Solstice Conference combines the reach of video conferencing with the power of rich, multi-participant content sharing to enhance the collaboration experience between onsite and remote users.

This room solution delivers the convenience of a traditional room system with the flexibility to use any conferencing service installed on the meeting host's laptop.



QSC Q-SYS Ecosystem

Fully-integrated, software-based audio, video and control platform that serves the smallest meeting room to the largest enterprise.

- Q-SYS Core 110f Unified processor: Audio, video and control processor ideal for medium to large spaces requiring onboard + network I/O.
- Q-SYS PTZ-IP conference camera: Professional quality conference video feeds with motorized Pan, Tilt, and Zoom (PTZ) for complete room coverage and privacy.
- Q-SYS NV-32-H network video endpoint: Multi-stream, software-configurable HDMI encoder/decoder delivering the right balance of high-quality (resolutions up to 4K60 4:4:4), low-latency and network-efficient video distribution across a standard gigabit infrastructure.
- Q-SYS TSC Series network touch screen controllers: Display fully-customizable user control interfaces (UCI). Available in wall-mount and table-mount options
- QSC AcousticDesign™ Series loudspeakers: Specifically tailored for the demands of high-fidelity applications, AD Series loudspeakers deliver pristine audio reproduction for a wide range of installation applications
- QSC SPA Series amplifiers: Half-RU, 2-ch and 4-ch power amplifiers for virtually any meeting space or single BGM zone.

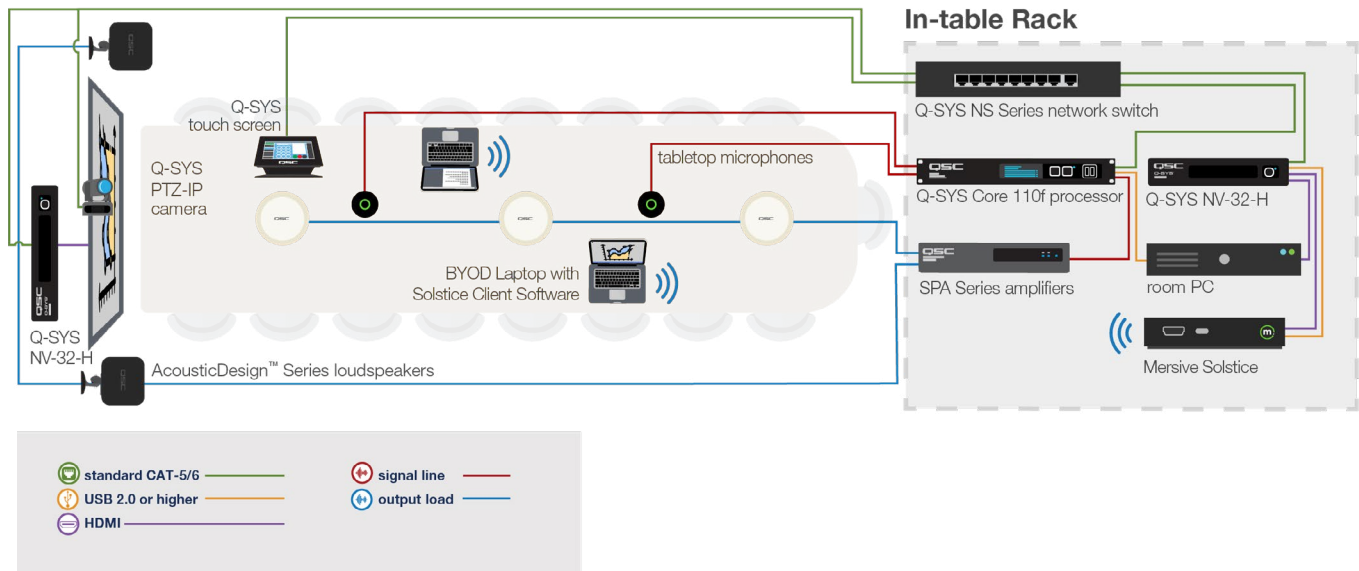
Mersive Solstice

- Software-based, cloud-enabled team space collaboration platform optimized for both onsite and remote participants.
- Multi-participant content sharing from any device
- Agnostic support for all major conferencing services
- Easy, one-step start from the meeting host's laptop
- Wirelessly connects the Q-SYS Ecosystem to the conference
- Enterprise-grade security and fully IT-compliant
- Cloud-based deployment management, monitoring, and analytics

Meeting Host Laptop

- Requires Windows or macOS laptops to host meetings
- Supports Webex, Zoom, Teams, and most other conferencing apps

Executive Boardroom System Configuration



System Components

Q-SYS Ecosystem

- Q-SYS Core 110f unified processor
- Q-SYS PTZ-IP conference camera
- NV-32-H network video endpoint
- QSC AcousticDesign™ Series loudspeakers
- QSC SPA Series amplifiers
- Q-SYS NS Series network switch (or standard off-the-shelf switch)
- Q-SYS TSC Series network touch screen controller

Mersive Solstice

- Solstice Gen3 Pod
- HDMI cable
- Power supply

Additional Requirements

- Meeting host laptop (Windows or macOS)
- Web conferencing service (WebEx, Teams, Zoom, GoToMeeting, etc.)
- Tabletop microphones (third-party)

Other Resources

Mersive Solstice

- [About Solstice Conference](#)
- [Solstice Conference Documentation](#)

Q-SYS Ecosystem

- [About Q-SYS](#)
- [Q-SYS for Meeting Rooms](#)
- [Q-SYS Designer Software](#)